

Lamp with transformer

FTR - AC voltage BTA - Ø 30mm



Reference :

TR + VOLTAGE + CA + COLOR + 30

Example : TR230CAO30

Generalities

The LED lamps, fixed light, **FTR**, in single phase allow the « voltage presence » function. The lamp, at very low voltage (<48V) can be mounted on cabinet door safely. The robustness of these indicators can be installed in disturbed and humid environments.

Description

- Body : Co-polyamide , fixing plastic nut, diameter 30 mm (1.181"), IK10, IP67 in front face, through the flat gasket provided, RoHS compliant, CE, UL 94 V-0.
- Front face : 3 color LED : red (R), green (V), yellow (J), amber (I), white (Bc), orange (O) or blue (Be) high brightness + 1 cap matches the colors of LED : Red, Green, Blue, Orange, Yellow or Transparent for White.
- Converter enclosure : beige polyamide PA6 (UL 94-HB), rail DIN foot black polyamide PA66 (UL 94-V2).

Technical specifications

- Voltages (+/-20%) 50/60Hz, and consumptions between phase & Neutral or 2 phases :

Voltages	110Vac	127Vac	230Vac	400Vac	440Vac	460Vac	490Vac
Colors							
R, J, I, O	270 mVA Cos φ : 0.8 Inductive	360 mVA Cos φ : 0.8 Inductive	0.5 VA Cos φ : 0.3 Capacitive	1.7 VA Cos φ : 0.1 Capacitive	1.9 VA Cos φ : 0.1 Capacitive	- Cos φ : 0.1 Capacitive	- Cos φ : 0.1 Capacitive
V, B, Bc	0.2 VA Cos φ : 0.76 Inductive	0.3 VA Cos φ : 0.76 Inductive	510 mVA Cos φ : 0.43 Capacitive	1.6 VA Cos φ : 0.1 Capacitive	1.8 VA Cos φ : 0.1 Capacitive	- Cos φ : 0.1 Capacitive	- Cos φ : 0.1 Capacitive

(See also versions with Lamp Ø22mm and filtered "FTRFI")

- Conformities : Norms EN55015, EN61547, EN61000-6-2, EN61000-6-4, RoHS, Reach, CE.
- Lifetime (MTBF*) : 100 000 hours.
- Operating temperature : -30°C à +70°C (22°F to 158°F).
- IP protection standard : IP67 (lamp).
- IK protection standard : IK10 (lamp).

(* : mean time between failure)

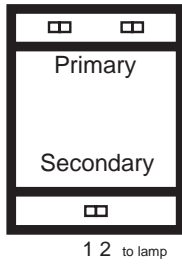
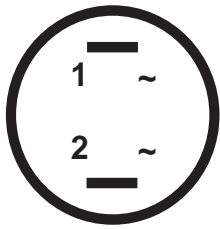
Advantages

- Insensitivity to vibrations, mechanical shocks.
- Resistance to moisture and water splashes.
- Electrical shocks resist : 5KV during 50µs.
- Immunity against magnetic fields.
- Assembly and disassembly easy, fast and secure .
- Exceptionally long life and unparalleled.
- Low power consumption and heat dissipation.
- Custom writing, custom silk-screen printing ability..



Connections

- Lamp : 2 quick-fits male 6.3mm (0.248")
- Converter : 3 screw terminals.



2 terminals on primary :
Terminal 1 = Ph1,
Terminal 2 = Neutral or Ph2.

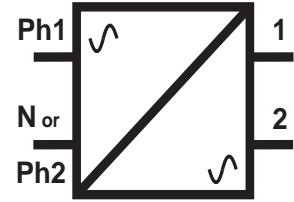
1 terminal on secondary :
Pin number 1 converter to
number 1 Lamp, 2 to 2.

Electrical symbol

Galvanic isolation between primary and secondary

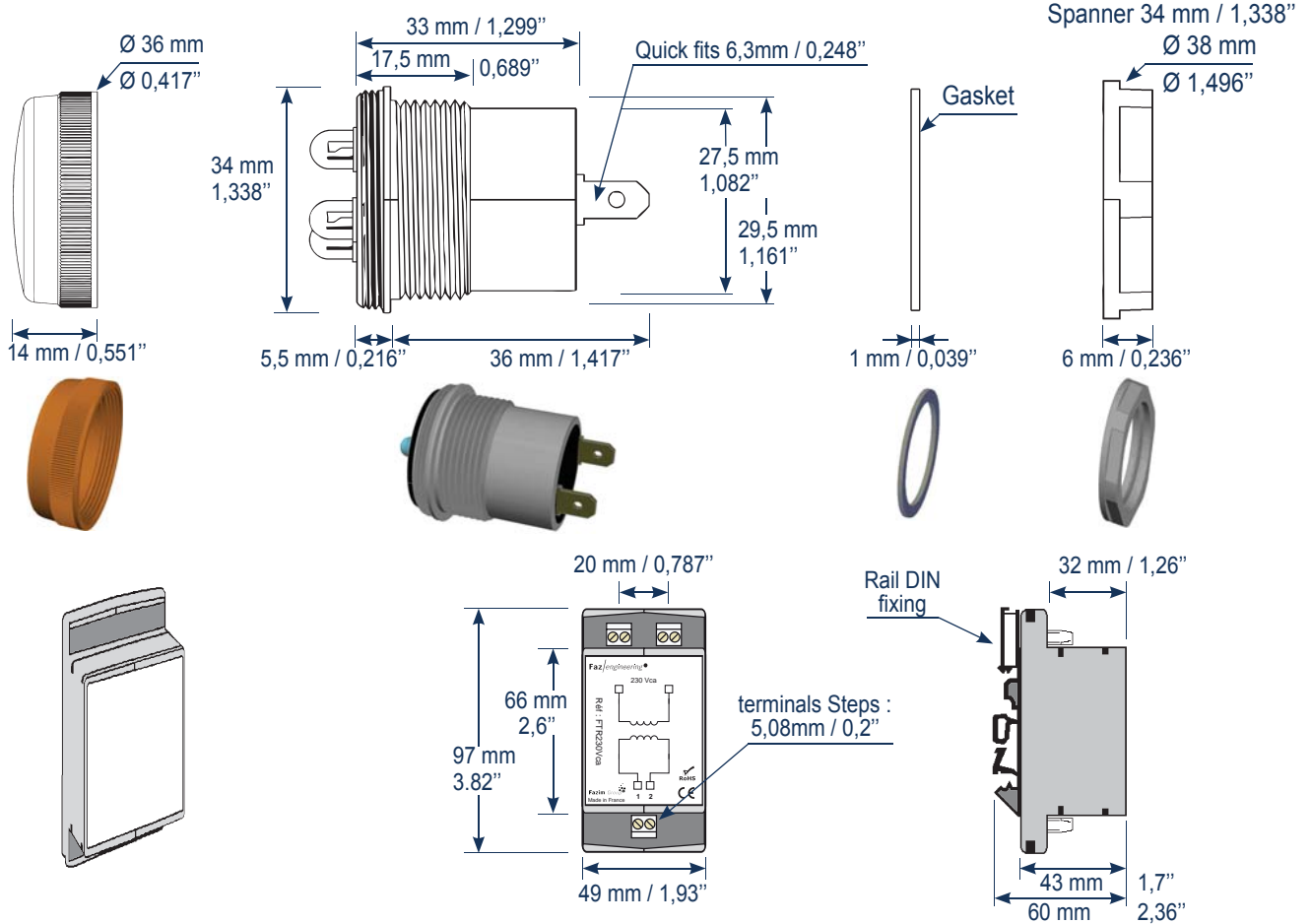
Lamp :

Converter :



Mechanical specifications

- Fixing : standard drilling $\varnothing 30\text{mm} \pm 0.5\text{mm}$; ($\varnothing 1.181''$).



Working

• On :



• Off :



Options & warranty

- Options : Other voltages and frequencies on request, anti harmonic filter (See the FTRFI version), lamp $\varnothing 22\text{mm}$, LED color, cap color, output wiring terminals or snap contact with screw...
- Warranty : 24 months manufacturer. No quick-fit terminal mal must be welded or lose the guarantee.
- Recommendation : The Quick-Fit Terminal Male must be completely covered with isolation that can be removed only by destruction.