

Rotating Beacon

One-color LED / Direct voltage

Faz/engineering 
Innovative and industrial signage and applications

by **Fazim**/Group 



Reference :

FZGYR - VOLTAGE + CC + COLOR

Example : FZGYR24CCR

Generalities

The rotating beacon is used primarily as a system of signs and warning light Security. It can be blinking, flashing, rotating light according the selected selector position. The absence of motor and lamp in fact a robust product and allows you to install in disturbed, vibrating and humid environments.

Description

- Base : ABS, fixing with 3 M6x20mm hexagonal head stainless steel screws provided, (nuts + lock washer + flat washer provided), An elastomer sole and a toric gasket between the dome and the base make it waterproof IP65, ROHS compliant and « smoke & fire» category : UL94V-0.
- Dome : Colored or translucent polycarbonate, fixing the base: ¼ turn .
- Lighting : 6 strips with 18 LEDs high brightness, 108 LEDs in total ! Each LED has a high light power between 10 to 18 cd depend of the color with an angle of 20°. In option and on request, extra high brightness LED with 6 strips of «power LEDs» with 60 to 300 Lumens per strip ! 1800 Lumens when flashing in white color.
- Colors : red (R), green (V), amber (A), white (Bc) et blue (Be), on request pink (Rs), purple UVA (Uv).

Technical specifications

- Supply voltage and average consumption in rotating light (+/-20%) :

Voltages \ Colors	12Vdc	24Vdc	48Vdc	72Vdc	127Vdc	220Vdc	400Vdc	750Vcc + enclosure
R, J, I, O	5 W	6.5 W	-	-	-	-	-	-
V, B, Bc	5.5 W	7.2 W	-	-	-	-	-	-

- Conformities : Norms EN55015, EN61547, EN61000-6-2, EN61000-6-4, ROHS, Reach, CE.
- Lifetime (MTBF*) : 100 000 hours.
- Operating temperature : -30°C à +70°C. (22°F to 158°F)
- IP protection standard : IP65

(* : mean time between failure)

Advantages

- Insensitivity to vibrations, mechanical shocks.
- Resistance to moisture and water splashes.
- Electrical shocks resist : 5KV during 50µs.
- Immunity against magnetic fields.
- Assembly and disassembly easy, fast and secure .
- Exceptionally long life and unparalleled.
- Low power consumption and heat dissipation.



Connections

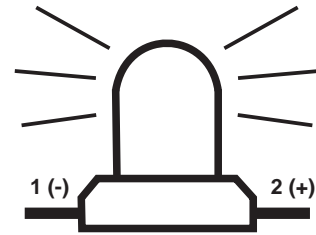
- Terminal under the rotating beacon



Protection against polarity reversal
 1 : «-» (minus)
 2 : No connected
 3 : «+» (Plus)

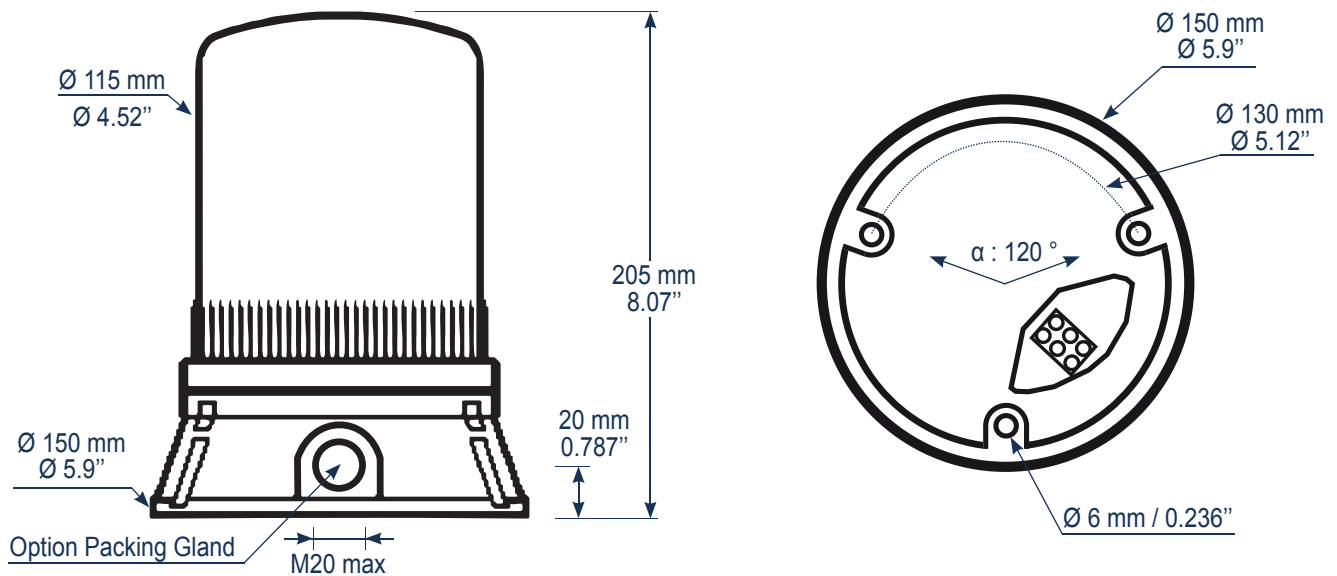
Possible exit packing gland with wiring.

Electrical symbol



Mechanical specifications

- Fixing : 3 hexagonal head screws M6 x 20mm, 3 nuts and 6 washers stainless provided.



Working

standard Configuration



Program Selector

Positions :

- | | |
|---------------------------|-------------------------|
| 0 : Normal rotating light | 5 : Rapid blink |
| 1 : Rapid rotating light | 6 : Short flash 1Hz |
| 2 : More rapid rotating | 7 : Long flash 1Hz |
| 3 : Scanner | 8 : 2 flashes 1Hz |
| 4 : Normal blink | 9 : 3 + 1 flashes 0.5Hz |



Options & warranty

- Options : On request, other voltages, anti harmonic filters for the power supply. Specific support plastic base. Output wiring. Output with packing gland. Customization program tailored. 16 positions Selector (6 additional functions). External pilot (RS232 or other). LED colors. Dome colors. Very high brightness LED. two-color version, three-color version ...
- Warranty : 24 months manufacturer. No terminal or other metallic thing must be welded or lose the guarantee.
- Recommendation : Cable section, more or equal to 1mm². Cable ends must be finished with any crimp terminal.