

Signal Lamp Fixed and flashing

SFCL - Direct voltage - Ø 30mm



Reference :

SFCL - VOLTAGE + CC + COLOR + 30

Example : SFCL24CCR30

/ Generalities

The signal lamps **SFCL** in direct-voltage, can be fixed or flashing lights according to wiring, allowing the visualization of two different functions such as «power on», «voltage presence», or signaling another parameter. These LED lamps are the same as the range **FCL**, with 5 LEDs instead of 3 LED, for more brightness !

/ Description

- Body : Co-polyamide , fixing plastic nut, diameter 30 mm (1.181"), IK10, IP67 in front face, through the flat gasket provided, RoHS compliant, CE, UL 94 V-0.
- Front face : 5 color LED : red (R), green (V), yellow (J), amber (A), white (Bc), orange (O) or blue (Be) high brightness, other color in option + 1 cap matches the colors of LED : Red, Green, Blue, Orange, Yellow or Transparent for White.

/ Technical specifications

- Supply voltages (+/-20%) and consumption in fixed light :

Voltages \ Colors	12Vdc	24Vdc	48Vdc	127Vdc
R, J, A, O	90 mW	290 mW	624 mW	635 mW
V, B, Bc	42 mW	160 mW	268 mW	600 mW

- Conformities : Norms EN55015, EN61547, EN61000-6-2, EN61000-6-4, RoHS, Reach, CE.
- Lifetime (MTBF*) : 100 000 hours.
- Operating temperature : -30°C à +70°C (22°F to 158°F).
- IP protection standard : IP67 (in front face).
- IK protection standard : IK10.

(* : mean time between failure)

/ Advantages

- Insensitivity to vibrations, mechanical shocks.
- Resistance to moisture and water splashes.
- Electrical shocks resist : 5KV during 50µs.
- Immunity against magnetic fields.
- Assembly and disassembly easy, fast and secure .
- Exceptionally long life and unparalleled.
- Low power consumption and heat dissipation.



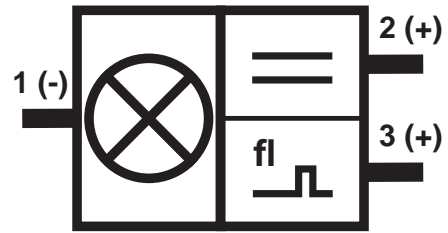
Connections

- 3 Quick-Fit male terminals 6.3mm (0.248")



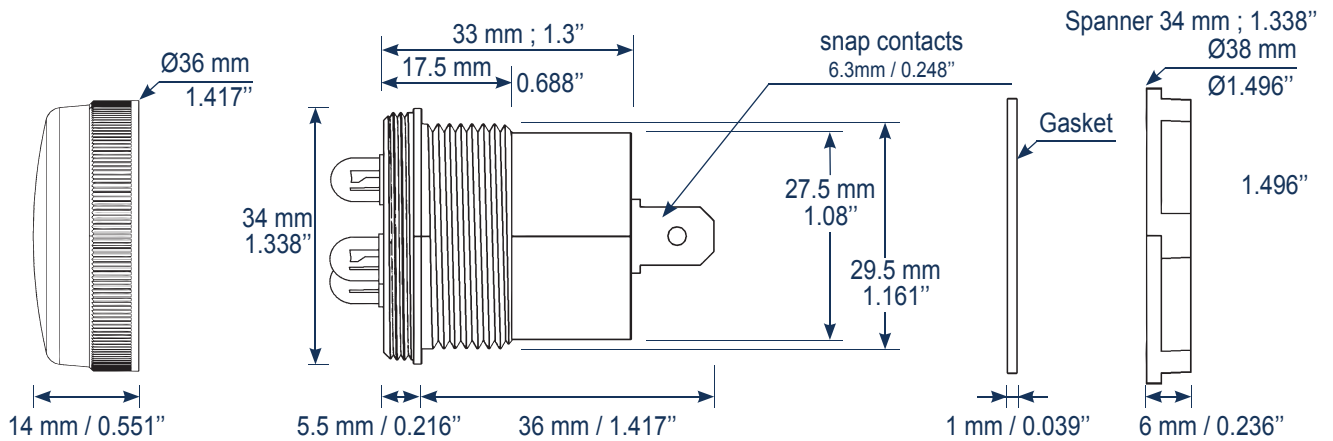
- 1 = Common (-)
- 2 = fixed light (+)
- 3 = flashing light (+)

Electrical symbol



Mechanical specifications

- Fixing : standard drilling \varnothing 30mm +/-0.5mm ; (\varnothing 1.181").



Working

- Off :



- On :



Fixed light (Supply between 1 & 2) or
Flashing light (Supply between 1 & 3)
Type of flash : Flash about 1Hz.



Options & warranty

- Options : Other voltage on request, threshold voltage, black background, other LED color (Pink Ro and Purple Vi), color cap, output wiring terminals, snap contact with screw or a connector of your choice...
- Warranty : 24 months manufacturer. No Quick-Fit Terminal Male must be welded or lose the guarantee.
- Recommendation : The Quick-Fit Terminal Male must be completely covered with isolation that can be removed only by destruction.