

Signal Lamp - Short

FTH - Three-phase - Ø 30mm



Reference :

H + VOLTAGE + CA + COLORS + 30

Example : H400CARVJ30

+ OPTION 40mm

Generalities

We present here the three-phase FTH signal lamps ! It is intended for the « three-phase voltage presence ». FTT to Fixed light, Three-phase, LED arranged in Horizontal. it's a 3 in 1 ! Short version : body length about 40mm. The proven robustness of these lights, you can install them in humid and disturbed environments.

Description

- Body : Co-polyamide , fixing plastic nut, diameter 30 mm (1.18"), IK10, IP67 in front face, through the flat gasket provided, RoHS compliant, CE, UL 94 V-0.
- Front face : 3 color LED : red (R), green (V), yellow (J), amber (I), white (Bc), orange (O) or blue (Be) high brightness + 1 transparent cap.

Technical specifications

- Supply voltages between 2 Phases and consumptions for 1 (+/-20%), 50/60 Hz :

Voltages \ Colors	24Vac	48Vac	115Vac	127Vac	230Vac	400Vac	440Vac
R, J, I, O	- Cos φ : 1 Resistive	425 mVA Cos φ : 0.1 Capacitive	0.85 VA Cos φ : 0.1 Capacitive	1.1 VA Cos φ : 0.1 Capacitive	2.25 VA Cos φ : 0.1 Capacitive	4.8 VA Cos φ : 0.1 Capacitive	- Cos φ : 0.1 Capacitive
V, B, Bc	- Cos φ : 1 Resistive	- Cos φ : 0.1 Capacitive	0.8 VA Cos φ : 0.1 Capacitive	1 VA Cos φ : 0.1 Capacitive	2.3 VA Cos φ : 0.1 Capacitive	4.8 VA Cos φ : 0.1 Capacitive	- Cos φ : 0.1 Capacitive

(Other voltages consulting us)

- Conformities : Norms EN55015, EN61547, EN61000-6-2, EN61000-6-4, RoHS, Reach, CE.
- Lifetime (MTBF*) : 100 000 hours.
- Operating temperature : -30°C à +70°C (22°F to 158°F).
- IP protection standard : IP67 (in front face).
- IK protection standard : IK10.

(* : mean time between failure)

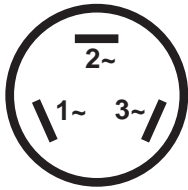


Advantages

- Insensitivity to vibrations, mechanical shocks.
- Resistance to moisture and water splashes.
- Electrical shocks resist : 5KV during 50µs.
- Immunity against magnetic fields.
- Assembly and disassembly easy, fast and secure .
- Exceptionally long life and unparalleled.
- Low power consumption and heat dissipation.
- Custom writing, custom silk-screen printing ability.

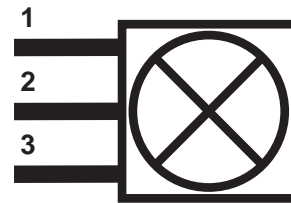
Connections

- 3 Quick-Fit male terminals 6.3mm (0.248")



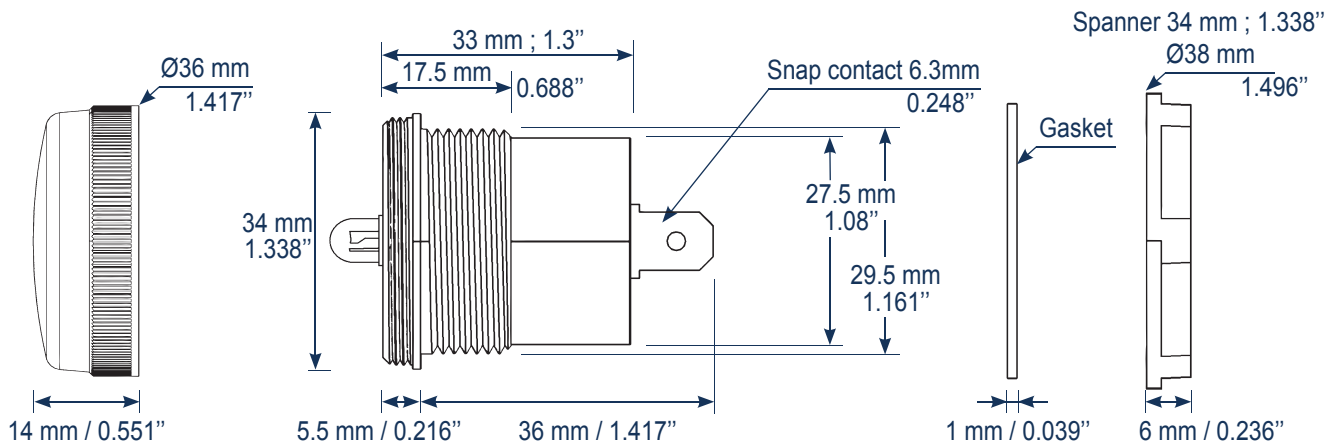
Electrical symbol

- Internal electrical wiring wye



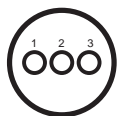
Mechanical specifications

- Fixing : standard drilling \varnothing 30mm +/-0.5mm ; (\varnothing 1.18").

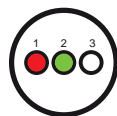


Working

- Off :



- On :



Ph1 + Ph2



Ph1 + Ph3



Ph2 + Ph3



Ph1 + Ph2 + Ph3



Options & warranty

- Options : Other voltage and frequencies on request, color LED, color cap, output wiring terminals or snap contact with screw...
- Warranty : 24 months manufacturer. No Quick-Fit Terminal Male must be welded or lose the guarantee.
- Recommendation : The Quick-Fit Terminal Male must be completely covered with isolation that can be removed only by destruction.