

Signal Lamp with threshold

FS - Single-phase - Ø 30mm



Reference :

FS + VOLTAGE + CA + COLOR + 30
(standard thresholds see technical specifications table)

Example : FS230CABe30
+ options >35V, >70V, ou >110V

/ Generalities

The signal lamps **FS** in single-phase, are fixed lights, allowing the visualisation of « voltage presence». The threshold voltage allows the LED lamp, lighting from the value set by this one. The robustness of these indicators can be installed in disturbed and humid environments.

/ Description

- Body : Co-polyamide , fixing plastic nut, diameter 30 mm (1.181"), IK10, IP67 in front face, through the flat gasket provided, RoHS compliant, CE, UL 94 V-0.
- Front face : 3 color LED : red (R), green (V), yellow (J), amber (I), white (Bc), orange (O) or blue (Be) high brightness + 1 cap matches the colors of LED : Red, Green, Blue, Orange, Yellow or Transparent for White.

/ Technical specifications

- Supply voltages 50/60Hz (+/-20%) and consumptions :

Voltages	24Vac	48Vac	115Vac	127Vac	230Vac	400Vac
Colors						
Standards threshold minimum warranty	12Vac	24Vac	35Vac	35Vac	35Vac	35Vac
R, J, I, O	160 mVA Cos φ : 1 Résistive	570 mVA Cos φ : 1 Résistive	1.55 VA Cos φ : 0.1 Capacitive	1.9 VA Cos φ : 0.1 Capacitive	6 VA Cos φ : 0.1 Capacitive	11.2 VA Cos φ : 0.1 Capacitive
V, B, Bc	185 mVA Cos φ : 1 Résistive	400 mVA Cos φ : 1 Résistive	2.3 VA Cos φ : 0.1 Capacitive	1.8 VA Cos φ : 0.1 Capacitive	4.6 VA Cos φ : 0.1 Capacitive	5 VA Cos φ : 0.1 Capacitive

- Conformities : Normes EN55015, EN61547, EN61000-6-2, EN61000-6-4, ROHS, Reach, CE.
- Lifetime (MTBF*) : 100 000 hours.
- Operating temperature : -30°C à +70°C (22°F to 158°F).
- IP protection standard : IP67 (in front face)
- IK protection standard : IK10

(* : mean time between failure)

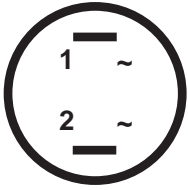
/ Advantages

- Insensitivity to vibrations, mechanical shocks.
- Resistance to moisture and water splashes.
- Electrical shocks resist : 5KV during 50µs.
- Immunity against magnetic fields.
- Assembly and disassembly easy, fast and secure .
- Exceptionally long life and unparalleled.
- Low power consumption and heat dissipation.



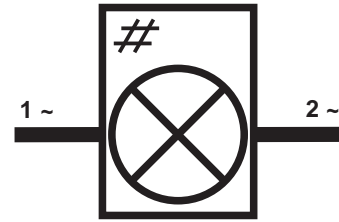
Connections

- 2 Quick-Fit male terminals 6.3mm (0.248")



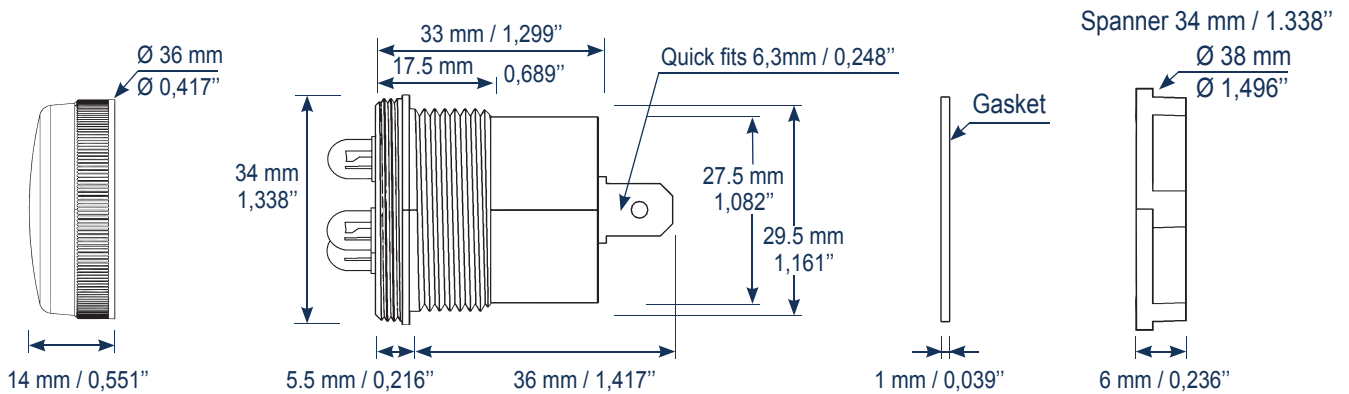
1 = phase 1
2 = Neutral or Phase 2

Electrical symbol



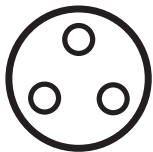
Mechanical specifications

- Fixing : standard drilling $\varnothing 30\text{mm} \pm 0.5\text{mm}$; ($\varnothing 1.181''$).



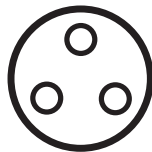
Working

- Off :

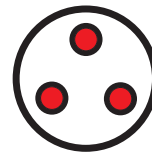


Supply voltage
= 0Vac

- On :



Supply voltage
 \leq threshold voltage



Supply voltage
> or >> threshold voltage



Options & Warranty

- Options : Other voltage on request, other supply frequencies, other voltages threshold : 35V, >70V or >110V, specific threshold value, color LED, colors cap, Lamp $\varnothing 22\text{mm}$, output wiring terminals or snap contact with screw...
- Warranty : 24 months manufacturer. No Quick-Fit Terminal Male must be welded or lose the guarantee.
- Recommendation : The Quick-Fit Terminal Male must be completely covered with isolation that can be removed only by destruction. be careful with your peak voltages for your choice of threshold voltage.