

Flashing Lamp

CL - Direct voltage - Ø 30mm

Faz/engineering 
Innovative and industrial signage and applications

by **Fazim**/Group 



Reference :

CL - VOLTAGE + CC + COLOR + 30

Example : CL24CCR30

/ Generalities

We present here the direct voltage LED signal lamps "CL" ! It's a flashing LED light for « voltage presence », also to viewing and / or warning mode of operation of your machines or your devices. The proven robustness of these lights, you can install them in humid and disturbed environments.

/ Description

- Body : Co-polyamide , fixing plastic nut, diameter 30 mm (1.181"), IK10, IP67 in front face, through the flat gasket provided, RoHS compliant, CE, UL 94 V-0. (Also available in diameter 22mm / 0.866").
- Front face : 3 color LED : red (R), green (V), yellow (J), amber (I), white (Bc), orange (O) or blue (Be) high brightness + 1 cap matches the colors of LED : Red, Green, Blue, Orange, Yellow or Transparent for White.

/ Technical specifications

- Supply voltages and average consumptions (+/-20%) :

Voltages \ Colors	12Vdc	24Vdc	48Vdc	127Vdc	220Vdc	400Vdc
R, J, I, O	150 mW	260 mW	11 mW	30 mW	55 mW	100 mW
V, B, Bc	150 mW	260 mW	9 mW	25 mW	42 mW	75 mW

- Conformities : Norms EN55015, EN61547, EN61000-6-2, EN61000-6-4, RoHS, Reach, CE.
- Lifetime (MTBF*) : 100 000 hours.
- Operating temperature : -30°C à +70°C (22°F to 158°F).
- IP protection standard : IP67 (in front face).
- IK protection standard : IK10.

(* : mean time between failure)

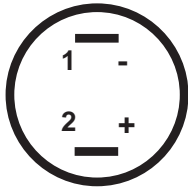
/ Advantages

- Insensitivity to vibrations, mechanical shocks.
- Resistance to moisture and water splashes.
- Electrical shocks resist : 5KV during 50µs.
- Immunity against magnetic fields.
- Assembly and disassembly easy, fast and secure .
- Exceptionally long life and unparalleled.
- Low power consumption and heat dissipation.



Connections

- 2 Quick-Fit male terminals 6.3mm (0.248")

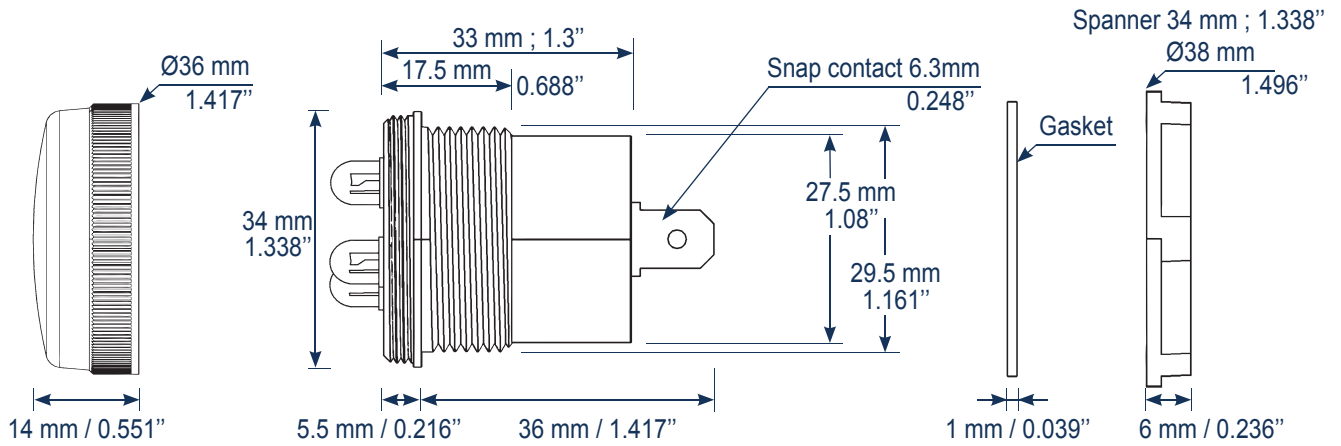


Electrical symbol



Mechanical specifications

- Fixing : standard drilling \varnothing 30mm +/-0.5mm ; (\varnothing 1.181").



Working

- Off :



- On :



Lighting flash.

Type of flash : Flash about 1Hz.



Options & warranty

- Options : Other voltage on request, color LED, color cap, output wiring terminals or snap contact with screw...
- Warranty : 24 months manufacturer. No Quick-Fit Terminal Male must be welded or lose the guarantee.
- Recommendation : The Quick-Fit Terminal Male must be completely covered with isolation that can be removed only by destruction.