

# Signal Lamp with threshold

## SFS - Direct voltage - Ø 22mm



Reference :

*SFS + VOLTAGE + CC + COLOR + 22*  
 (standard thresholds see technical specifications table)

Example : SFS24CCBe22  
 + options >24V, >70V, ou >110V

### Generalities

The signal lamps **FS** in direct-voltage, are fixed lights, allowing the visualisation of « voltage presence ». The threshold voltage allows the LED lamp, lighting from the value set by this one. This device is the same as the range **FB**, with 5 LEDs instead of 3 LED, for more brightness !

### Description

- Body : Co-polyamide , fixing plastic nut, diameter 22 mm (0.866"), IK10, IP67 in front face, through the flat gasket provided, RoHS compliant, CE, UL 94 V-0.
- Front face : 5 color LED : red (R), green (V), yellow (J), amber (I), white (Bc), orange (O) or blue (Be) high brightness + 1 cap matches the colors of LED : Red, Green, Blue, Orange, Yellow or Transparent for White.

### Technical specifications

- Supply voltages (+/-20%) and consumptions :

Voltages	12Vdc	24Vdc	48Vdc	110Vdc	127Vdc	220Vdc
Colors						
Standards threshold minimum warranty	6Vdc	12Vdc	24Vdc	24Vdc	24Vdc	24Vdc
R, J, I, O	-	60 mW	110 mW	220 mW	260 mW	400 mW
V, B, Bc	-	50 mW	75 mW	210 mW	280 mW	360 mW

- Conformities : Normes EN55015, EN61547, EN61000-6-2, EN61000-6-4, ROHS, Reach, CE.
- Lifetime (MTBF\*) : 100 000 hours.
- Operating temperature : -30°C à +70°C (22°F to 158°F).
- IP protection standard : IP67 (in front face)
- IK protection standard : IK10

(\* : mean time between failure)

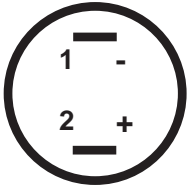
### Advantages

- Insensitivity to vibrations, mechanical shocks.
- Resistance to moisture and water splashes.
- Electrical shocks resist : 5KV during 50µs.
- Immunity against magnetic fields.
- Assembly and disassembly easy, fast and secure .
- Exceptionally long life and unparalleled.
- Low power consumption and heat dissipation.



## Connections

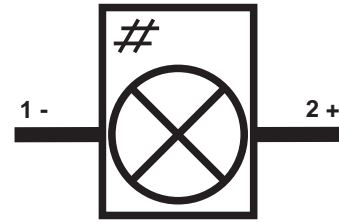
- 2 Quick-Fit male terminals 6.3mm (0.248")



1 = «-»

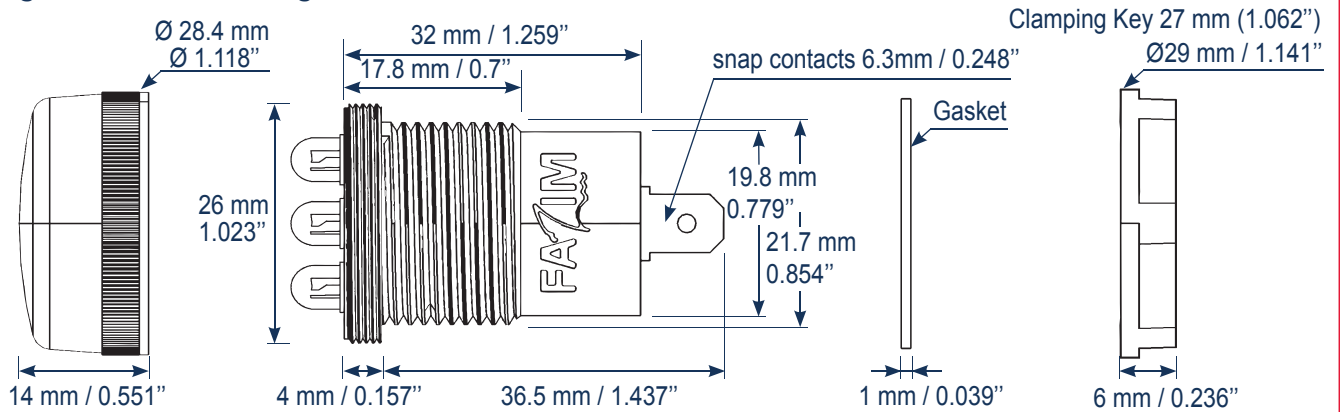
2 = «+»

## Electrical symbol



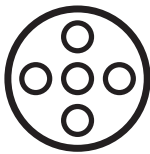
## Mechanical specifications

- Fixing : standard drilling  $\varnothing 22\text{mm} \pm 0.5\text{mm}$  ; ( $\varnothing 0.866''$ ).



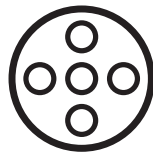
## Working

- Off :

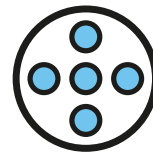


Supply voltage  
= 0Vdc

- On :



Supply voltage  
≤ threshold voltage



Supply voltage  
> or >> threshold voltage



## Options & Warranty

- Options : Other voltage on request, other voltages threshold : 24V, >70V, or >110V, specific threshold value, color LED, colors cap, output wiring terminals, snap contact with screw or a connector of your choice...
- Warranty : 24 months manufacturer. No Quick-Fit Terminal Male must be welded or lose the guarantee.
- Recommendation : The Quick-Fit Terminal Male must be completely covered with isolation that can be removed only by destruction. be careful with your peak voltages for your choice of threshold voltage.