

# Signal Lamp

F1L - Single-phase - Ø 22mm

**Faz**/engineering  
Innovative and industrial signage and applications

by **Fazim**/Group



Reference :

*VOLTAGE* + CA + *COLOR* + 1L + 22

Example : 230CAR1L22

## / Generalities

We present here the single-phase F1L signal lamps ! It's the same features as those of the «F» range but have only one LED. It's a LED fixed lighting for « voltage presence ». The proven robustness of these lights, you can install them in humid and disturbed environments.

## / Description

- Body : Co-polyamide , fixing plastic nut, diameter 22 mm (0.866"), IK10, IP67 in front face, through the flat gasket provided, RoHS compliant, CE, UL 94 V-0.
- Front face : 1 color LED : red (R), green (V), yellow (J), amber (I), white (Bc), orange (O) or blue (Be) high brightness + 1 cap matches the color of the LED : Red, Green, Blue, Orange, Yellow or Transparent for White.

## / Technical specifications

- Supply voltages and consumptions in 50/60 Hz (+/-20%) :

Voltages \ Colors	48Vca	110Vca	230Vca	400Vca
R, J, I, O	730 mVA Cos φ : 0.1 Capacitive	1.3 VA Cos φ : 0.1 Capacitive	3.7 VA Cos φ : 0.1 Capacitive	3.8 VA Cos φ : 0.1 Capacitive
V, B, Bc	650 mVA Cos φ : 0.1 Capacitive	1.25 VA Cos φ : 0.1 Capacitive	2.5 VA Cos φ : 0.1 Capacitive	1.8 VA Cos φ : 0.1 Capacitive

- Conformities : Norms EN55015, EN61547, EN61000-6-2, EN61000-6-4, RoHS, Reach, CE.
- Lifetime (MTBF\*) : 100 000 hours.
- Operating temperature : -30°C à +70°C (22°F to 158°F).
- IP protection standard : IP67 (in front face).
- IK protection standard : IK10.

(\* : mean time between failure)

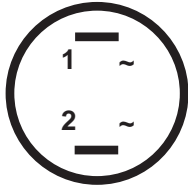
## / Advantages

- Insensitivity to vibrations, mechanical shocks.
- Resistance to moisture and water splashes.
- Electrical shocks resist : 5KV during 50µs.
- Immunity against magnetic fields.
- Assembly and disassembly easy, fast and secure .
- Exceptionally long life and unparalleled.
- Low power consumption and heat dissipation.

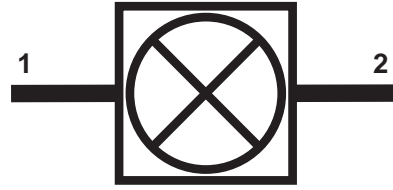


## Connections

- 2 Quick-Fit male terminals 6.3mm (0.248")

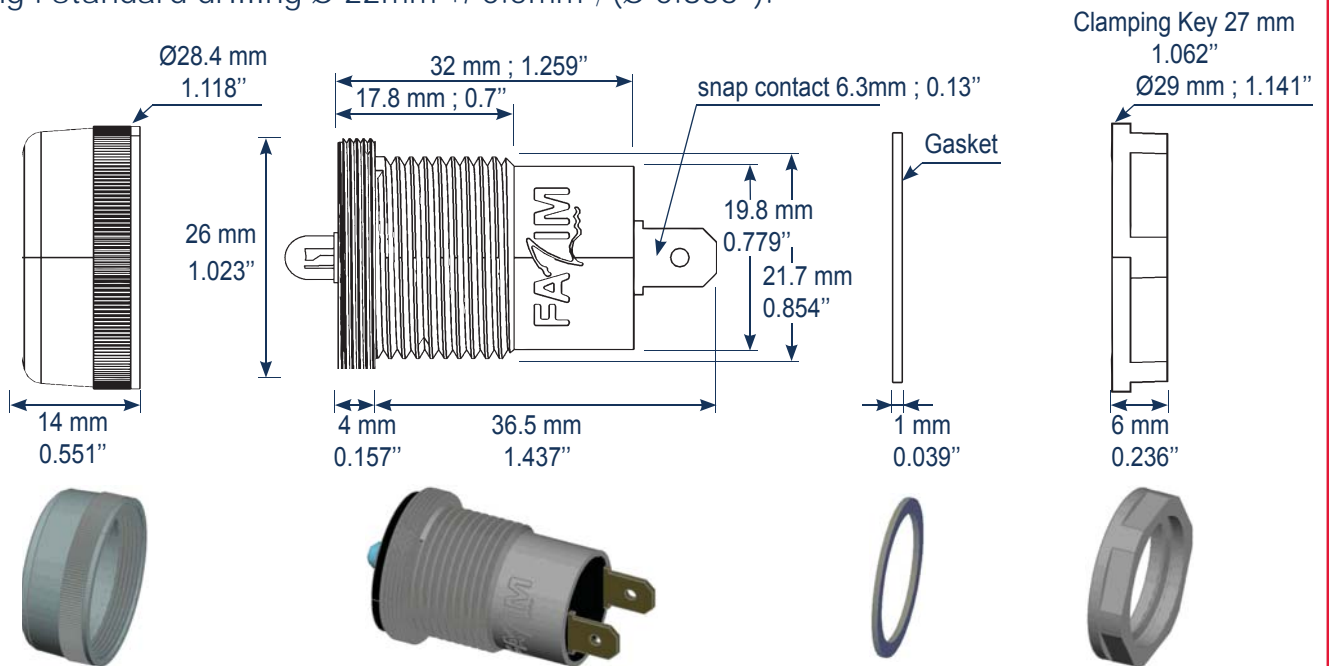


## Electrical symbol



## Mechanical specifications

- Fixing : standard drilling  $\varnothing$  22mm  $\pm$ 0.5mm ; ( $\varnothing$  0.866").



## Working

- Off :



- On :



## Options & warranty

- Options : Other voltage on request, color LED, color cap, output wiring terminals or snap contact with screw...
- Warranty : 24 months manufacturer. No Quick-Fit Terminal Male must be welded or lose the guarantee.
- Recommendation : The Quick-Fit Terminal Male must be completely covered with isolation that can be removed only by destruction.