

Bright modular housing

AC voltage / BMLC : 192x96x65mm

Faz/engineering 
Innovative and industrial signage and applications

by **Fazim**/Group 



Reference :

BMLC + Voltage + CA + number + F + Color(s)
of fonction

Example : BMLC230CA10FA

Specify options : test lamps (EL), Push button, ...
provide the map screen printing.

/ Generalities

The built-in LED modular housings , allow the visualization in one box, several functions. Thanks to their minimum length dimension, the modular housings will easily integrate in your cabinet doors and process. 1 to 15 functions, colors and custom text, the devices connect via a terminal block located and marked on the back.

/ Description

- Enclosure : Black NORYL (UL 94-V1), size : 192 x 96 x 65mm (7.56"x3.78"x2.56") , built-in with fixing device, norms CEI 61554, DIN 43700. Built-in Cut-out 186mm x 92mm (7.32"x3.62"). Rohs. IP54/42 possibility IP65.
 - 1 terminal : Pitch 5mm (0.197"). X electrical terminals screws. Possibility of adding a lamp test terminal (EL).
[X = (nb of functions + ((nb de fonctions/2) + (2.EL)).common + 2.EL (lamp test) (in option)].
Ex : 4 Fcts + EL X = (4+((4/2)+2)+2) = 10 terminal screws.
 - Front face : 90 to 120 color LEDs according to the number of fonctions, high brightness : red (R), green (V), amber (A), white (BC) or blue (BE).
- Printed text protected by Plexiglass window. Gravoglass independent panes (see options).

/ Technical specifications

- Supply voltage (+/-20%) at 50/60 Hz & consumption for 6 LED (1/15th) :

| Voltages Colors | 12Vac | 24Vac | 48Vac | 127Vac | 220Vac | 400Vac |
|--------------------|-----------------------------------|-----------------------------------|--------------------------------------|--------------------------------------|-------------------------------------|-------------------------------------|
| R, J, I, O | 100 mVA Cos φ : 1 Résistive | 200 mVA Cos φ : 1 Résistive | 730 mVA Cos φ : 0.1 Capacitive | 1.7 VA Cos φ : 0.1 Capacitive | 3.7 VA Cos φ : 0.1 Capacitive | 3.8 VA Cos φ : 0.1 Capacitive |
| V, B, Bc | 150 mVA Cos φ : 1 Résistive | 300 mVA Cos φ : 1 Résistive | 650 mVA Cos φ : 0.1 Capacitive | 1.65 VA Cos φ : 0.1 Capacitive | 2.5 VA Cos φ : 0.1 Capacitive | 1.8 VA Cos φ : 0.1 Capacitive |

- Conformities : Norms EN55015, EN61547, EN61000-6-2, EN61000-6-4, ROHS, Reach, CE.
- Lifetime (MTBF*) : 100 000 hours.
- Operating temperature : -30°C à +70°C. (22°F to 158°F)
- IP protection standard : IP 54/42 possibility IP65 (option)

(* : mean time between failure)

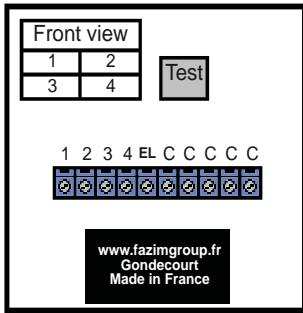
/ Advantages

- Insensitivity to vibrations, mechanical shocks.
- Resistance to moisture and water splashes.
- Electrical shocks resist : 5KV during 50µs.
- Immunity against magnetic fields.
- Assembly and disassembly easy, fast and secure .
- Exceptionally long life and unparalleled.
- Low power consumption and heat dissipation.
- Custom writing, custom silk-screen printing ability.



Electrical connections of the box

• Rear view :



• example : 4 functions, Push-button + Lamp test terminal

1 : Function 1, (1st box in top left on silk-screen printing to the front),
 → Supply voltage (Ph1),

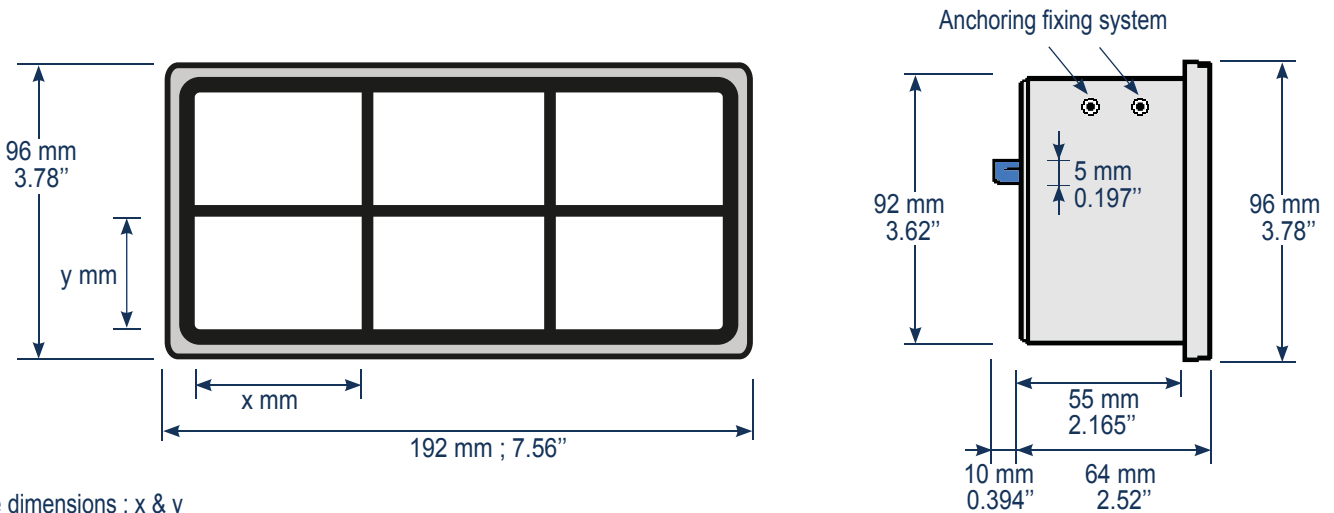
4 : Function 4, (last box in bottom right on silk-screen printing to the front),
 → Supply voltage (Ph1),

EL : Lamp test, (EL)(in option), lights all the box ! lamp test button (BP) (additional option)
 → Supply voltage (Ph1), and/or press the push-button «test»,

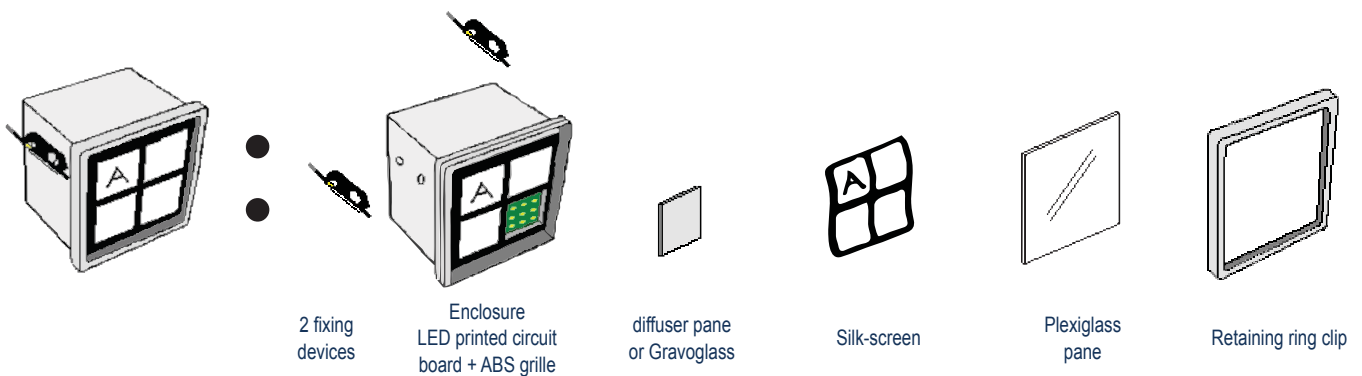
C : Common of all functions as well as the lamp test,
 → Supply voltage (Neutral or Ph2).

Mechanical specifications

• Fixing : recessed cutting 186mm (7.32") [Tol adm : +1.1mm] x 92mm (3.62") [Tol adm : +0.8mm]
 . fixing device provided.



Pane dimensions : x & y
 The pane dimensions depend of the number of fonctions.



Other sizes available :

- Specifications and configurations of different available devices :

| Models | Size Height x Width x Depth (mm) | Recessed cutting h x w (mm) | Number of functions max | Voltage Vdc | Voltage Vac | Depth options 121 mm |
|--------|-------------------------------------|--------------------------------|----------------------------|----------------|----------------|-------------------------|
| BMLA | 36 x 72 x 65 mm | 33 x 68 mm | 3 | ✓ | ✓ | |
| BMLB | 96 x 96 x 65 mm | 92 x 92 mm | 8 | ✓ | ✓ | |
| BMLC | 192 x 96 x 65 mm | 186 x 92 mm | 15 | ✓ | ✓ | ✓ |
| BMLD | 192 x 144 x 65 mm | 186 x 138 mm | 32 | ✓ | ✓ | ✓ |
| BMLE | 144 x 48 x 65 mm | 138 x 45 mm | 8 | ✓ | ✓ | |
| BMLF | 144 x 96 x 65 mm | 138 x 92 mm | 16 | ✓ | ✓ | ✓ |
| BMLG | 288 x 144 x 65 mm | 282 x 138 mm | 48 | ✓ | ✓ | ✓ |
| BMLH | 72 x 72 x 65 mm | 68 x 68 mm | 4 | ✓ | ✓ | |
| BMLI | 144 x 144 x 65 mm | 138 x 138 mm | 25 | ✓ | ✓ | ✓ |
| BMLJ | 48 x 24 x 65 mm | 45 x 22,2 mm | 1 | ✓ | ✓ | |
| BMLK | 288 x 72 x 65 mm | 282 x 68 mm | 24 | ✓ | ✓ | ✓ |
| BMLL | 96 x 72 x 65 mm | 92 x 68 mm | 8 | ✓ | ✓ | ✓ |
| BMLM | 144 x 72 x 65 mm | 138 x 68 mm | 12 | ✓ | ✓ | ✓ |
| BMLN | 192 x 72 x 65 mm | 186 x 68 mm | 16 | ✓ | ✓ | ✓ |
| BMLO | 48 x 48 x 65 mm | 45 x 45 mm | 2 | ✓ | ✓ | |

Examples of options :



[1]

[2]



Options & Warranty

- Options : on request, other voltages, frequency, wiring output, lamp test terminal (EL), lamp test push button [1], voltage filter, voltage threshold, colors LED mixing, two-colors LEDs, RGB color change, other silk-screen, flashing Gravoglass [2], ... (See also other size). external driving (RS232 or other).
- Warranty : 24 months manufacturer. No terminal or other metallic thing must be welded or lose the guarantee.
- Recommendation : Cable section, more or equal to 0.6mm² up to 48Vdc, and more or equal to 1mm² beyond 48Vdc. Cable ends must be finished with any crimp terminal.