

# Bright modular housing

BML Family / DC voltage / All Sizes

**Faz**/engineering   
Innovative and industrial signage and applications

by **Fazim**/Group 



Reference :

BML + Voltage + CC + number + F + Color(s)  
model of fonction(s)

Example : BMLC24CC10FA

Specify options : test lamps (EL), Push button, ...  
provide the map screen printing.

## / Generalities

The built-in LED modular housings , allow the visualization in one box, several functions. Thanks to their minimum length dimension, the modular housings will easily integrate in your cabinet doors and process. From 1 to 48 functions, colors and custom text, the devices connect via a terminal block located and marked on the back.

## / Description

- Enclosure : Black NORYL (UL 94-V1), size : (look page 3), built-in with fixing device, norms CEI 61554, DIN 43700. Rohs. IP54/42 possibility IP65.
- 1 terminal : Pitch 5mm (0.197"). X electrical terminals screws. Possibility of adding a lamp test terminal (EL).  
[X = (nb of functions + ((nb de fonctions/2) + (2.EL)).common + 2.EL (lamp test) (in option)].  
Ex : 4 Fcts + EL X = (4+((4/2)+2)+2) = 10 terminal screws.
- Front face : From 3 to 36 color LEDs according to the size of the case.  
High brightness LED : red (R), green (V), amber (A), white (BC), blue (BE), multicolored (RGB).  
Printed text protected by Plexiglass window. Gravoglass independent panes (see options).

## / Technical specifications

- Supply voltage (+/-20%) & consumption for 6 LED :

Colors \ Voltages	12Vdc	24Vdc	48Vdc	127Vdc	220Vdc	400Vdc
R, J, I, O	100 mW	200 mW	400 mW	500 mW	-	-
V, B, Bc	150 mW	300 mW	600 mW	-	-	-

- Conformities : Norms EN55015, EN61547, EN61000-6-2, EN61000-6-4, ROHS, Reach, CE.
- Lifetime (MTBF\*) : 100 000 hours.
- Operating temperature : -30°C à +70°C. (22°F to 158°F)
- IP protection standard : IP 54/42 possibility IP65 (option)

(\* : mean time between failure)

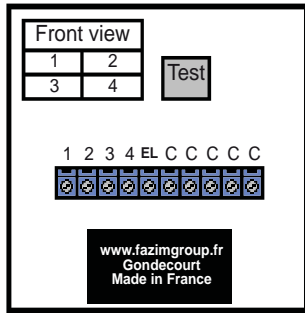
## / Advantages

- Insensitivity to vibrations, mechanical shocks.
- Resistance to moisture and water splashes.
- Electrical shocks resist : 5KV during 50µs.
- Immunity against magnetic fields.
- Assembly and disassembly easy, fast and secure .
- Exceptionally long life and unparalleled.
- Low power consumption and heat dissipation.
- Custom writing, custom silk-screen printing ability.



# Electrical connections of the box

• Rear view :



• example : 4 functions, Push-button + Lamp test terminal

1 : Function 1, (1st box in top left on silk-screen printing to the front),  
 → Supply voltage (+),

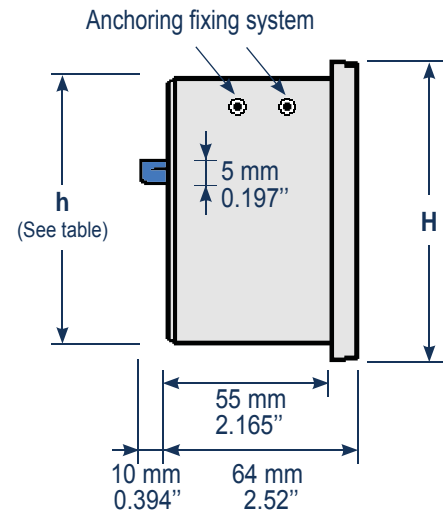
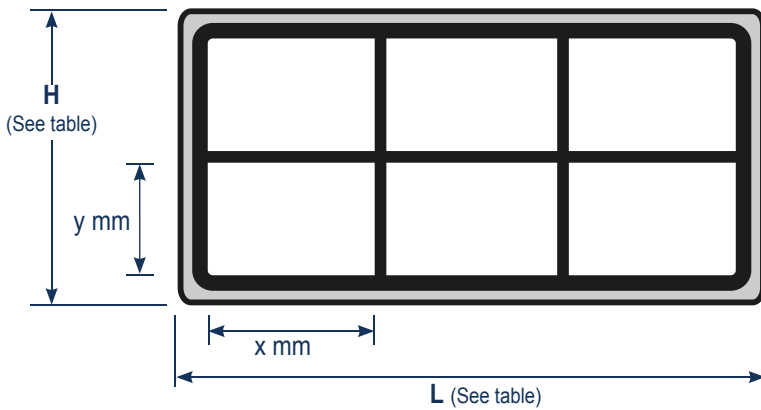
4 : Function 4, (last box in bottom right on silk-screen printing to the front),  
 → Supply voltage (+),

EL : Lamp test, (EL)(in option), lights all the box ! lamp test button (BP) (additional option)  
 → Supply voltage (+), and/or press the push-button «test»,

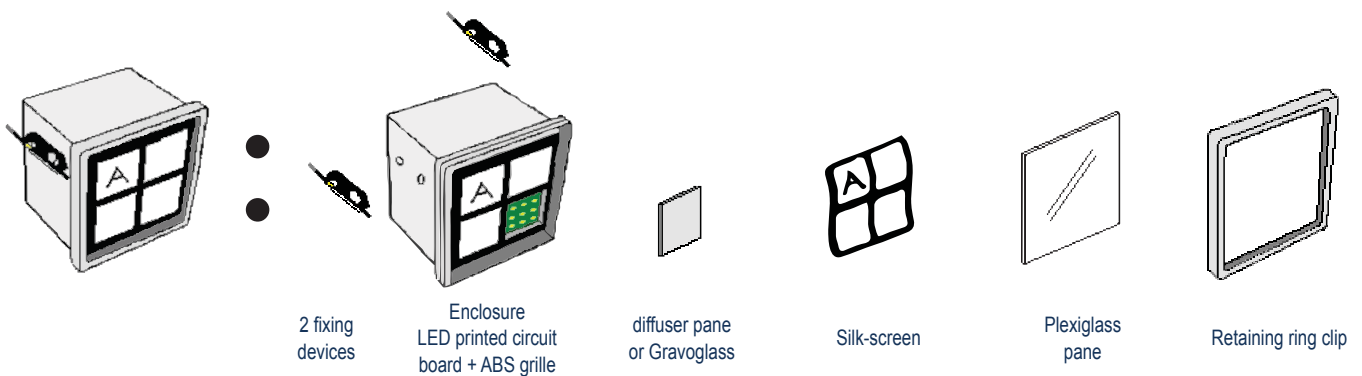
C : Common of all functions as well as the lamp test,  
 → Supply voltage (-).

# Mechanical specifications

• Fixing : recessed cutting (See table page 3).  
 . fixing device provided.



Pane dimensions : x & y  
 The pane dimensions depend of the number of fonctions.



## Other sizes available :

- Specifications and configurations of different available devices :

Models	Size Height x Width x Depth (mm)	Recessed cutting h x w (mm)	Number of functions max	Voltage Vdc	Voltage Vac	Depth options 121 mm
BMLA	36 x 72 x 65 mm	33 x 68 mm	3	✓	✓	
BMLB	96 x 96 x 65 mm	92 x 92 mm	8	✓	✓	
BMLC	192 x 96 x 65 mm	186 x 92 mm	15	✓	✓	✓
BMLD	192 x 144 x 65 mm	186 x 138 mm	32	✓	✓	✓
BMLE	144 x 48 x 65 mm	138 x 45 mm	8	✓	✓	
BMLF	144 x 96 x 65 mm	138 x 92 mm	16	✓	✓	✓
BMLG	288 x 144 x 65 mm	282 x 138 mm	48	✓	✓	✓
BMLH	72 x 72 x 65 mm	68 x 68 mm	4	✓	✓	
BMLI	144 x 144 x 65 mm	138 x 138 mm	25	✓	✓	✓
BMLJ	48 x 24 x 65 mm	45 x 22,2 mm	1	✓	✓	
BMLK	288 x 72 x 65 mm	282 x 68 mm	24	✓	✓	✓
BMLL	96 x 72 x 65 mm	92 x 68 mm	8	✓	✓	✓
BMLM	144 x 72 x 65 mm	138 x 68 mm	12	✓	✓	✓
BMLN	192 x 72 x 65 mm	186 x 68 mm	16	✓	✓	✓
BMLO	48 x 48 x 65 mm	45 x 45 mm	2	✓	✓	

## Examples of options :



[1]

[2]



## Options & Warranty

- Options : on request, other voltages, wiring output, lamp test terminal (EL), lamp test push button [1], voltage filter, voltage threshold, colors LED mixing, two-colors LEDs, RGB color change, other silk-screen, Gravoglass [2], ...  
(See also other size). external driving (RS232 or other).
- Warranty : 24 months manufacturer. No terminal or other metallic thing must be welded or lose the guarantee.
- Recommendation : Cable section, more or equal to 0.6mm<sup>2</sup> up to 48Vdc, and more or equal to 1mm<sup>2</sup> beyond 48Vdc. Cable ends must be finished with any crimp terminal.